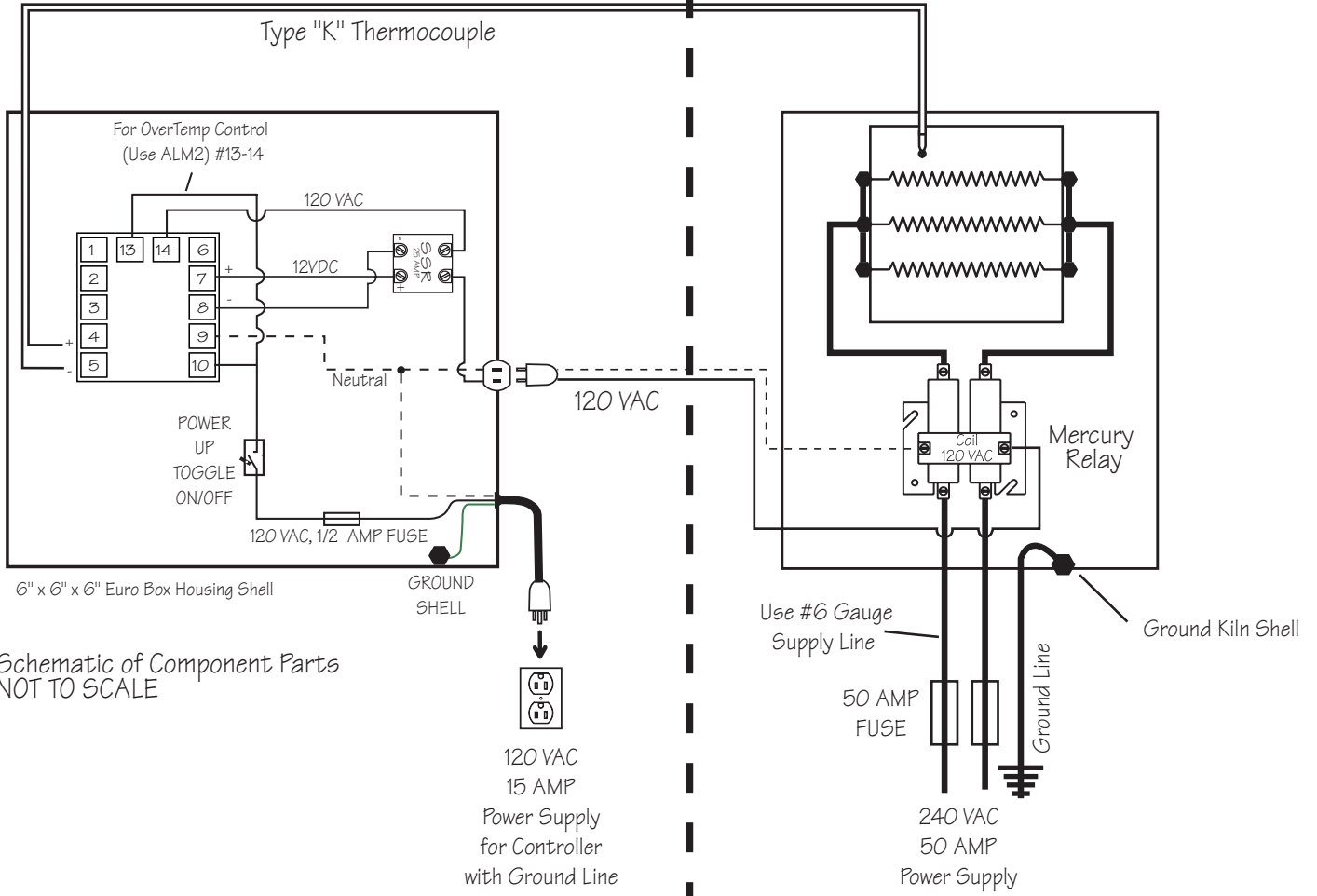


Controller

Kiln



Schematic of Component Parts
NOT TO SCALE